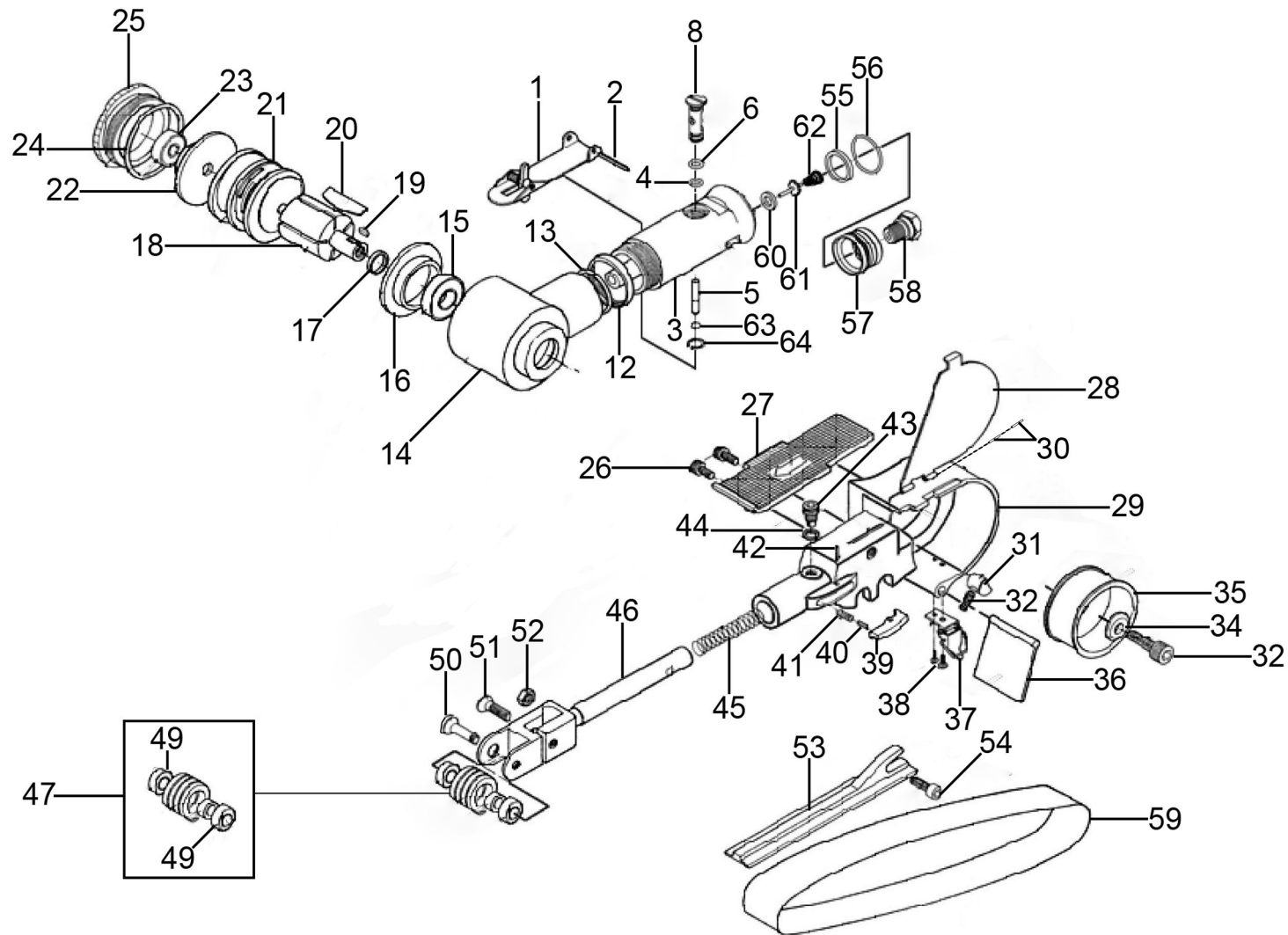




Parts Information:
Air Belt Sander 20 x 520mm
Model No: SA355.V2



NOTE: It is our policy to continually improve products and as such we reserve the right to alter data, specifications and component parts without prior notice.

There may be alternative versions of this product, please contact us should you require this information.

IMPORTANT: No liability is accepted for incorrect use of product. Spare parts must be fitted by a competent person

WARRANTY: Guarantee is 12 months from purchase date, proof of which will be required for any claim.

Sealey Group, Kempson Way, Suffolk Business Park, Bury St Edmunds, Suffolk. IP32 7AR



01284 757500



01284 703534



sales@sealey.co.uk



www.sealey.co.uk



Parts Information:
Air Belt Sander 20 x 520mm
Model No: SA355.V2

| Item | Part No. | Description |
|------|-------------|---------------------------------|
| 1 | SA355.V2-01 | Throttle Lever |
| 2 | SA355.V2-02 | Lever Pin |
| 3 | SA355.V2-03 | Motor Housing |
| 4 | SA355.V2-04 | O-Ring |
| 5 | SA355.V2-05 | Valve Stem |
| 6 | SA57.32 | O-Ring |
| 8 | SA355.V2-08 | Air Controller |
| 12 | SA355.V2-12 | Lock Nut |
| 13 | SA355.V2-13 | O-Ring |
| 14 | SA355.V2-14 | Housing |
| 15 | B/627ZZ | Bearing |
| 16 | SA355.V2-16 | Front End Plate |
| 17 | SA355.V2-17 | Spacer |
| 18 | SA355.V2-18 | Rotor |
| 19 | SA355.V2-19 | Woodruff Key |
| 20 | SA355.V2-20 | Rotor Blade |
| 21 | SA355.V2-21 | Cylinder |
| 22 | SA355.V2-22 | Rear Plate |
| 23 | B/626ZZ | Bearing |
| 24 | SA355.V2-24 | O-Ring |
| 25 | SA355.V2-25 | Motor Nut |
| 26 | SA355.V2-26 | Socket Head Cap Screw M5 x 10mm |
| 27 | SA355.V2-27 | Finger Plate |
| 28 | SA355.V2-28 | Wheel Cover Lid |
| 29 | SA355.V2-29 | Wheel Cover (c/w Spacer) |
| 30 | SA355.V2-30 | Spring Pin |
| 31 | SA355.V2-31 | Lock Pin |
| 32 | SCB516.SB | Socket Cap Bolt M5 x 16mm Black |
| 34 | SA355.V2-34 | Washer, Brass Bevelled Edge |
| 35 | SA355.V2-35 | Drive Pulley |
| 36 | SA355.V2-36 | Dust Cover |
| 37 | SA355.V2-37 | Cover Latch |

| Item | Part No. | Description |
|------|-------------|---|
| 38 | MSP35.S | Pan Head Machine Screw M3 x 5mm |
| 39 | SA355.V2-39 | Tension bar |
| 40 | SA355.V2-40 | Spring Pin |
| 41 | SA355.V2-41 | Spring |
| 42 | SA355.V2-42 | Spring Pin |
| 43 | SA355.V2-43 | Screw |
| 44 | SWM5.SB | Spring Washer M5 Black |
| 45 | SA355.V2-45 | Tension Spring |
| 46 | SA355.V2-46 | Tension Arm |
| 47 | SA355.V2-47 | Idle Pulley Assembly |
| 49 | B/686-RS | Bearing |
| 50 | SA355.V2-50 | Screw |
| 51 | MSCS618.SB | Csk Socket Machine Screw M6 x 18mm Black |
| 52 | SN6.S | Steel Nut M6 |
| 53 | SA355.V2-53 | Shoe |
| 54 | SCB512.SB | Socket Cap Bolt M5 x 12mm Black |
| 55 | SA355.V2-55 | Silencer |
| 56 | SA621.V2-13 | O-Ring |
| 57 | SA355.V2-57 | Air Deflector |
| 58 | SA355.V2-58 | Air Inlet |
| 59 | SA355/B60G | Sanding Belt 20 x 520mm 60Grit (Pack of 5) |
| 60 | SA355.V2-60 | White Seal Ring |
| 61 | SA355.V2-61 | Valve Stem |
| 62 | SA355.V2-62 | Spring, Conical |
| 63 | SA355.V2-63 | O-Ring, (Ex: 4.80 In: 2.94 Cs: 0.93) |
| 64 | MC4500.P5 | External Circlip |
| -- | SA355/B80G | Sanding Belt 20 x 520mm 80Grit (Pack of 5) (Not Shown) |
| -- | SA355/B100G | Sanding Belt 20 x 520mm 100Grit (Pack of 5) (Not Shown) |
| -- | SA355/B120G | Sanding Belt 20 x 520mm 120Grit (Pack of 5) (Not Shown) |

NOTE: It is our policy to continually improve products and as such we reserve the right to alter data, specifications and component parts without prior notice. There may be alternative versions of this product, please contact us should you require this information.

IMPORTANT: No liability is accepted for incorrect use of product. Spare parts must be fitted by a competent person

WARRANTY: Guarantee is 12 months from purchase date, proof of which will be required for any claim.

Sealey Group, Kempson Way, Suffolk Business Park, Bury St Edmunds, Suffolk. IP32 7AR



01284 757500



01284 703534



sales@sealey.co.uk



www.sealey.co.uk