



# BRAKE CALIPER THREAD REPAIR KIT

MODEL NO: **VS0462.V2**

Thank you for purchasing a Sealey product. Manufactured to a high standard, this product will, if used according to these instructions, and properly maintained, give you years of trouble free performance.

**IMPORTANT:** PLEASE READ THESE INSTRUCTIONS CAREFULLY. NOTE THE SAFE OPERATIONAL REQUIREMENTS, WARNINGS & CAUTIONS. USE THE PRODUCT CORRECTLY AND WITH CARE FOR THE PURPOSE FOR WHICH IT IS INTENDED. FAILURE TO DO SO MAY CAUSE DAMAGE AND/OR PERSONAL INJURY AND WILL INVALIDATE THE WARRANTY. KEEP THESE INSTRUCTIONS SAFE FOR FUTURE USE.



Refer to instructions



Wear eye protection

## 1. SAFETY

- ❑ **WARNING!** Wear approved eye protection. Wear appropriate Personal Protective Equipment. A full range of Personal Protective Equipment is available from your Sealey stockist.
- ❑ **WARNING!** Ensure that Health & Safety, Local Authority Regulations and general workshop practice Regulations are adhered to when using tools.
- ✖ **DO NOT** use tools if damaged.
- ✓ Maintain tools to ensure that they are in an adequate condition for safe use and optimum performance.
- ✓ Ensure that a vehicle that has been raised by a jack is adequately supported. Use axle stands.
- ✓ Wear suitable clothing to avoid snagging. **DO NOT** wear jewellery. Tie back long hair.
- ✓ Account for all tools, parts and components being used. **DO NOT** leave these in or near the engine. Return tools to suitable storage after use.
- ❑ **WARNING!** The warnings, cautions and instructions in this manual cannot cover all possible conditions and situations. The Operator / user must apply caution and common sense (good practical sense).  
**IMPORTANT:** These Instructions are provided as a guide only. Always refer to the vehicle manufactures' service instructions or a proprietary manual to establish the correct procedure and data.

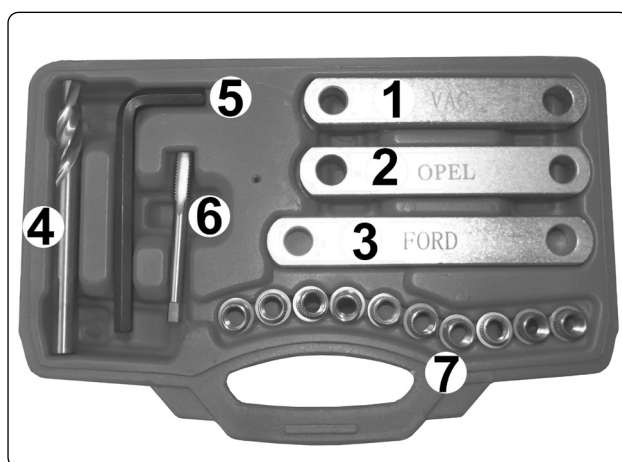
## 2. INTRODUCTION

Time and money saving kit for replacing damaged brake caliper threads with a new threaded insert. Features three alignment plates for correct alignment of the insert. Kit includes 7mm Hex key, stepped drill, M9 tap and ten inserts in storage case.

## 3. SPECIFICATION

MODEL NO:	VS0462.V2
Consumable Parts:	VS0462R - Threaded Inserts (Pack of 10)
Thread Size:	M9 x 1.25mm

NO.	DESCRIPTION	PART NO.
1	Alignment Plate - VAG (Volkswagen Audi Group)	VS0462.01
2	Alignment Plate - Vauxhall / Opel	VS0462.02
3	Alignment Plate - Ford	VS0462.03
4	Drill Bit	VS0462.07
5	7mm Hex Key	VS0462.04
6	Tap M9 x 1.25mm	VS0462.06
7	Threaded Inserts (Replacement Inserts - pack of 10)	VS0462R



## 4. OPERATION

- 4.1. Remove the road wheel, brake disc and brake calliper from the car. Next remove the calliper mounting bracket, in some vehicles the calliper mounting bracket is a cast part of the hub.
- 4.2. Clean up the calliper mounting bracket and insert it in a vice.
- 4.3. **One Thread Stripped**
  - 4.3.1. Clean the thread that is still intact using the M9 tap. Grease the tap for lubrication.
  - 4.3.2. Re-fit a pin into the good thread then slide the correct alignment plate for your vehicle over the pin.
  - 4.3.3. Use the other hole on the alignment plate as a guide, drill out the damaged thread using the stepped drill bit. Continue drilling all the way through, using the larger diameter on the drill bit to enlarge the pin hole so a threaded insert can be used.
  - 4.3.4. Take a threaded insert with copper washer and insert into drilled out hole. Ensure it is pushed in the opposite end that the pin is inserted.

**NOTE:** Use some thread lock on the threaded insert.

- 4.3.5. Re-insert the calliper pins and tighten using the Hex key, this will seat the insert fully home.
- 4.3.6. Remove the pins and reassemble the brakes, refer to a proprietary manual for correct procedure.
- 4.4. Both Threads Stripped.
- 4.4.1. When both threads are damaged use the stepped drill bit to centre on the first hole.
- 4.4.2. Follow from 4.3.4 inserting a threaded insert.
- 4.4.3. Then follow from section 4.3.2 for the second hole.



**ENVIRONMENT PROTECTION**

Recycle unwanted materials instead of disposing of them as waste. All tools, accessories and packaging should be sorted, taken to a recycling centre and disposed of in a manner which is compatible with the environment. When the product becomes completely unserviceable and requires disposal, drain any fluids (if applicable) into approved containers and dispose of the product and fluids according to local regulations.



REGISTER YOUR PURCHASE HERE

**Note:** It is our policy to continually improve products and as such we reserve the right to alter data, specifications and component parts without prior notice.

**Important:** No Liability is accepted for incorrect use of this product.

**Warranty:** Guarantee is 12 months from purchase date, proof of which is required for any claim.

**Sealey Group, Kempson Way, Suffolk Business Park, Bury St Edmunds, Suffolk. IP32 7AR**



**01284 757500**



**sales@sealey.co.uk**



**www.sealey.co.uk**