

NOTE: It is our policy to continually improve products and as such we reserve the right to alter data, specifications and component parts without prior notice. There may be alternative versions of this product, please contact us should you require this information.

IMPORTANT: No liability is accepted for incorrect use of product. Spare parts must be fitted by a competent person

WARRANTY: Guarantee is 12 months from purchase date, proof of which will be required for any claim.



Parts Information:
**Submersible Water Butt Pump 50L/min
230V
Model No: WPB50A**

Item	Part No.	Description
1	WP08701001	Power Cable
2	WP014010014	Float Switch 10A 250V
3	WP00303026	Rear Pump Casing
4	WP05201033	Cable Sheath
5	WP05602005	Cable Buckle
6	WP08401001B	Capacitor 6µF
7	WP05501001	Cable Grip
8	WP07802018	Self-Tapping Screw
9	WP02602004	Aluminum Rear Cover
9.1	WP05202003	Wire Sheath
9.2	WP934A	Washer
9.3	WP08601010	Wire, Green/Yellow
9.4	WP04102027	Plate
9.5	WP08301001	Heat Shrink Tube
9.6	WP86224	Washer
9.7	WP818	Screw M4 x 8mm
10	WP03801001	Wave Washer
11	B/6201ZZ	Bearing
12	WP0230103028	Rotor
13	WP02202076	Stator
14	WP02005012	Bushing Ring
15	WP03802023	Washer
16	WP05102002	Sealing Ring (12 x 24 x 4.5 x 17)

Item	Part No.	Description
17	WP04204001	Aluminum Bushing
18	WP05101052	O-Ring
19	WP02501051	Front Cover
20	WP05101010	O-Ring, (102.10 x 91.44 x 5.33)
21	WP00406001	Pump Casing
22	WP07802005	Self-Tapping Screw
23	WP03802005	Adjusting Gasket
24	WP00904089	Impeller
25	WP05101019	O-Ring, (144.61 x 139.37 x 2.62)
26	WP00502002	Pump Base, Inner
27	WP845A	Self Tapping Screw ST4.2 x 38mm
28	WP01901002	Filter
29	WP00601010	Base
30	WP04105011	Cover
31	WP04101003	Nylon Safety Press Line Cap
32	WP03203012	Rubber Clip
33	WP08501001	Cable Tie
34	WP06101007	Mechanical Seal
35	RE231.05	External Circlip 12.8mm ID
--	WP05201036	Cable Sheath (Not Shown)
--	WP05602008	Cable Buckle (Not Shown)
--	WP03802006	Adjusting Gasket (Not Shown)
--	WP04101001	Nylon Safety Press Line Cap (Not Shown)

NOTE: It is our policy to continually improve products and as such we reserve the right to alter data, specifications and component parts without prior notice. There may be alternative versions of this product, please contact us should you require this information.

IMPORTANT: No liability is accepted for incorrect use of product. Spare parts must be fitted by a competent person

WARRANTY: Guarantee is 12 months from purchase date, proof of which will be required for any claim.

Sealey Group, Kempson Way, Suffolk Business Park, Bury St Edmunds, Suffolk. IP32 7AR



01284 757500



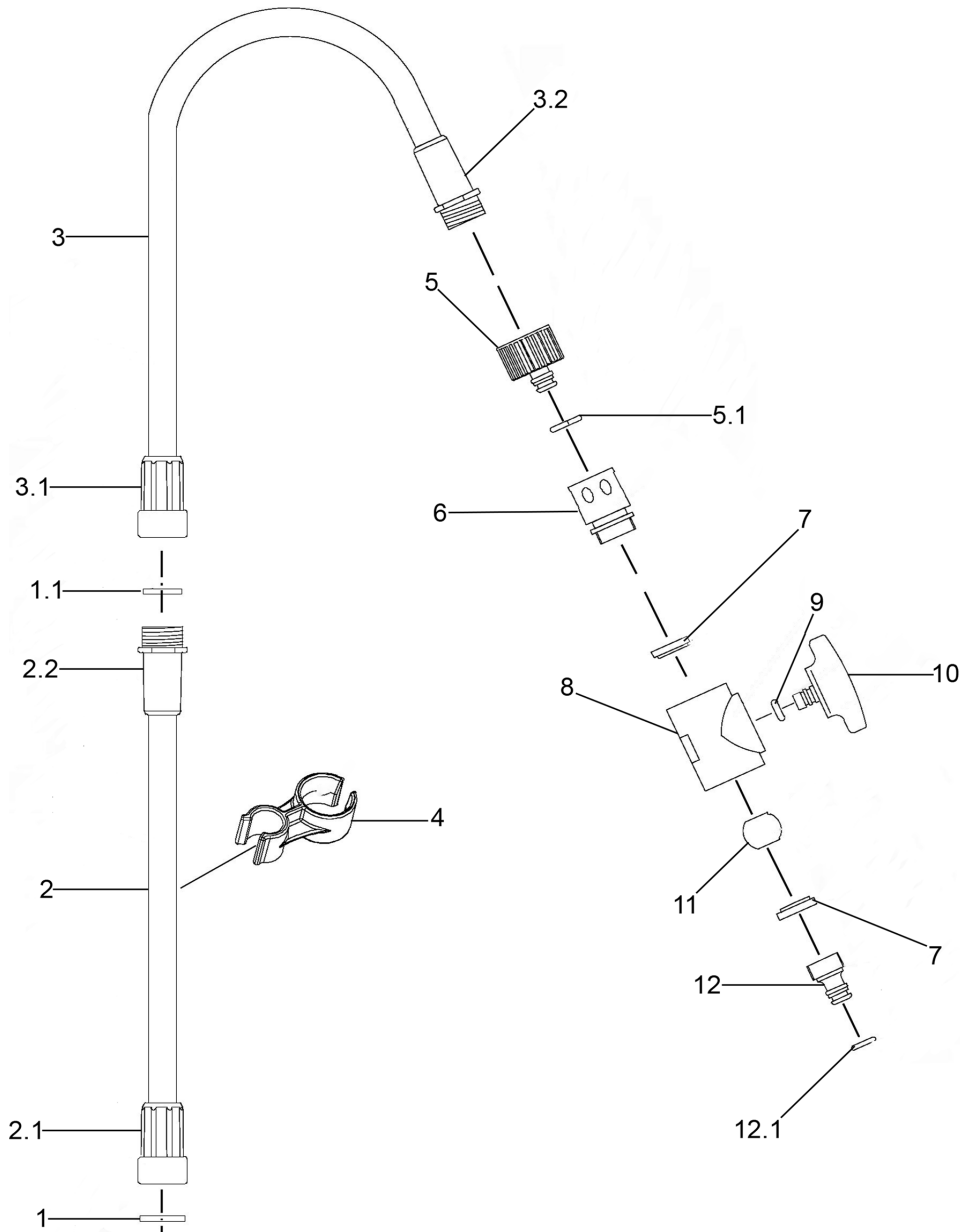
01284 703534



sales@sealey.co.uk



www.sealey.co.uk



Item	Part No.	Description
1	WP03202006	Seal Washer
1.1	WP03202005	Seal Washer
2	WP02002003	Aluminium Pipe, Straight
2.1	WP06602002	Aluminium Tube Connector (F)
2.2	WP06602003	Aluminium Tube Connector (M)
3	WP02002001	Aluminium Elbow
3.1	WP06602004	Aluminium Tube Connector (F)
3.2	WP06602001	Aluminium Tube Connector (M)
4	WP01201003	Clip
5	WP06603001	Quick Connector (F)

Item	Part No.	Description
5.1	WP03204078	Seal Washer
6	WP06603002	Quick Connector Kit
7	WP03202003	Seal Washer
8	WP01503001	Valve Body
9	SA802.23	O-Ring (9.63 x 6.07 x 1.78)
10	WP06401001	Knob
11	WP01504001	Valve Disc
12	WP06603003	Valve Connector
12.1	WP03204078	Seal Washer

NOTE: It is our policy to continually improve products and as such we reserve the right to alter data, specifications and component parts without prior notice. There may be alternative versions of this product, please contact us should you require this information.

IMPORTANT: No liability is accepted for incorrect use of product. Spare parts must be fitted by a competent person

WARRANTY: Guarantee is 12 months from purchase date, proof of which will be required for any claim.