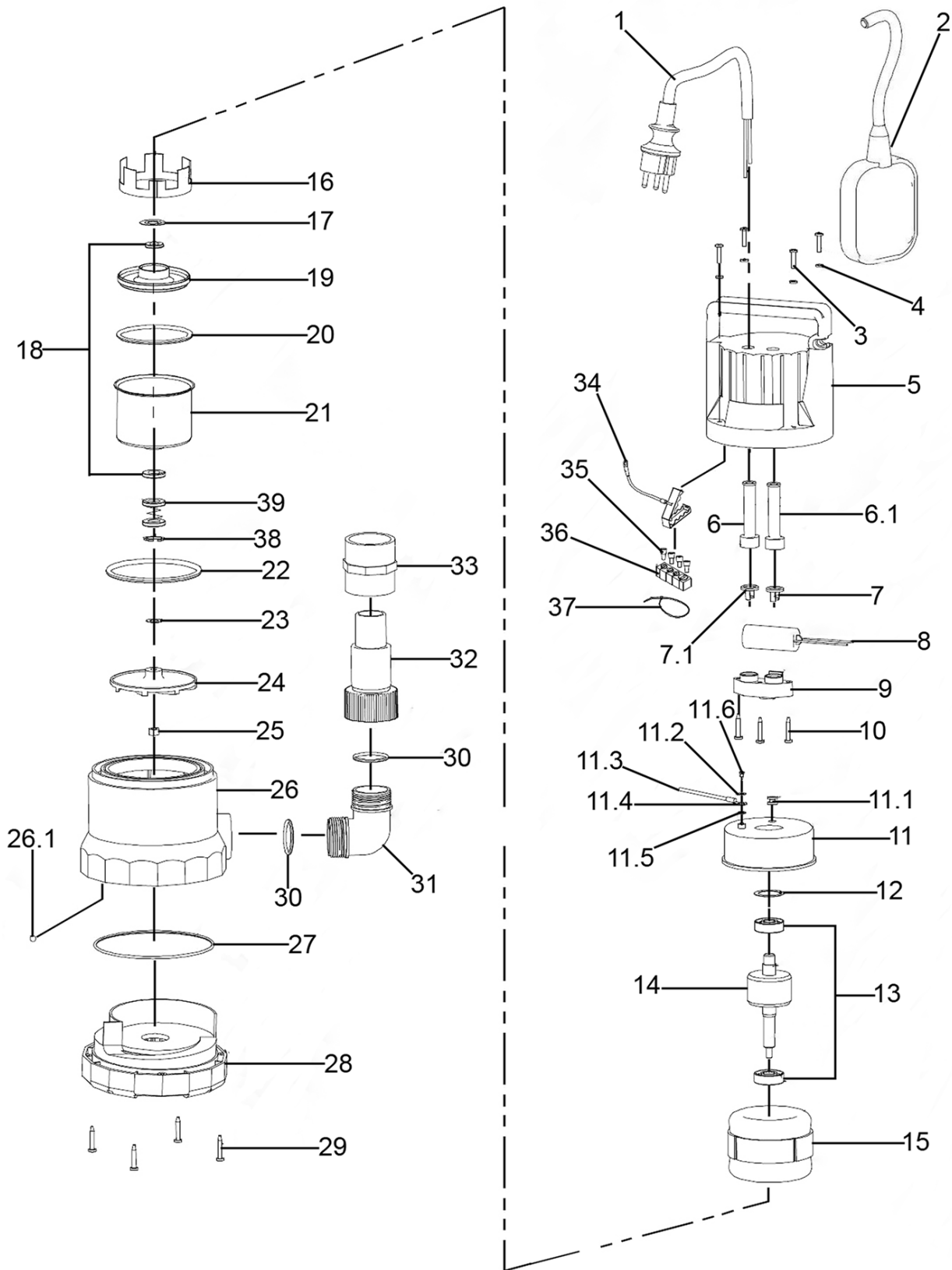




Parts Information:  
Submersible Water Pump Automatic 208L/  
min 230V  
Model No: WPC235A.V2



**NOTE:** It is our policy to continually improve products and as such we reserve the right to alter data, specifications and component parts without prior notice. There may be alternative versions of this product, please contact us should you require this information.

**IMPORTANT:** No liability is accepted for incorrect use of product. Spare parts must be fitted by a competent person

**WARRANTY:** Guarantee is 12 months from purchase date, proof of which will be required for any claim.

Sealey Group, Kempson Way, Suffolk Business Park, Bury St Edmunds, Suffolk. IP32 7AR



01284 757500



sales@sealey.co.uk



www.sealey.co.uk



Parts Information:  
**Submersible Water Pump Automatic 208L/  
min 230V**  
**Model No: WPC235A.V2**

Item	Part No.	Description
1	WP08701001	Power Cable
2	WPC235AV2.02	Float Switch 10A 250V IP68
3	WPC235V2.02	Self-Tapping Screw 4.5 x 30
4	WP03802031	Washer
5	WPC235V2.04	Rear Pump Housing
6	WPC235V2.05	Cable Sheath
6.1	WP05201036	Cable Sheath
7	WP05602008	Cable Buckle
7.1	WP05602005	Cable Buckle
8	WPC235V2.08	Capacitor 8µF
9	WP05501001	Cable Grip
10	WP07802018	Self-Tapping Screw
11	WP02602004	Aluminum Rear Cover
11.1	WP05202003	Wire Sheath
11.2	WPC235V2.11-2	Washer
11.3	WP08601010	Wire (Green/Yellow)
11.4	WP04102006	Plate
11.5	WPC235V2.11-5	Washer
11.6	WP818	Screw M4 x 8mm
12	WP03801001	Wave Washer
13	B/6201ZZ	Bearing
14	WPC235V2.14	Rotor
15	WPC235V2.15	Stator
16	WPC235V2.16	Bushing
17	WP03802023	Washer
18	WPC235V2.18	Seal

Item	Part No.	Description
19	WP04204001	Aluminum Bushing
20	WPC235V2.20	O-Ring
21	WPC235V2.21	Front Cover
22	WP05101010	O-Ring (102.10 x 91.44 x 5.33)
23	WPC250.23	Adjustable Washer
24	WPC235V2.24	Impeller
25	WPC235V2.25	Nut
26	WPC235V2.26	Pump Body
26.1	WP3086	Steel Ball
27	WPC250.27	O-Ring (126.88 x 121.96 x 2.46)
28	WPC250.28	Base
29	WP845I	Self-Tapping Screw st4.2x32
30	YAJ30H.J47	O-Ring (44.58 x 39.34 x 2.62)
31	WPC250.31	Elbow
32	WPC250.32	Outlet Connector
33	WPC250.33	Flexible Connector
34	WP04105006	Ground Cover
35	WP04101001	Nylon Safety Press Line Cap
36	WP03203012	Rubber Clip
37	WP08501001	Cable Tie
38	WP06101007	Mechanical Seal
39	WPC235V2.39	Block
--	WPC250.04-1	Handle Cover (Not Shown)
--	WPD235AV2.05B	Rear Pump Housing (Not Shown)
--	WPC250.23-1	Adjustable Washer (Not Shown)
--	WP04101003	Nylon Safety Press Line Cap (Not Shown)

**NOTE:** It is our policy to continually improve products and as such we reserve the right to alter data, specifications and component parts without prior notice. There may be alternative versions of this product, please contact us should you require this information.

**IMPORTANT:** No liability is accepted for incorrect use of product. Spare parts must be fitted by a competent person

**WARRANTY:** Guarantee is 12 months from purchase date, proof of which will be required for any claim.

Sealey Group, Kempson Way, Suffolk Business Park, Bury St Edmunds, Suffolk. IP32 7AR



01284 757500



sales@sealey.co.uk



www.sealey.co.uk