



# WHEEL SKATE 560KG

MODEL NO: **WS560**

Thank you for purchasing a Sealey product. Manufactured to a high standard, this product will, if used according to these instructions, and properly maintained, give you years of trouble free performance.

**IMPORTANT:** PLEASE READ THESE INSTRUCTIONS CAREFULLY. NOTE THE SAFE OPERATIONAL REQUIREMENTS, WARNINGS & CAUTIONS. USE THE PRODUCT CORRECTLY AND WITH CARE FOR THE PURPOSE FOR WHICH IT IS INTENDED. FAILURE TO DO SO MAY CAUSE DAMAGE AND/OR PERSONAL INJURY AND WILL INVALIDATE THE WARRANTY. KEEP THESE INSTRUCTIONS SAFE FOR FUTURE USE.



Refer to instruction manual



Wear protective footwear



Wear protective gloves

## 1. SAFETY

- WARNING!** Ensure Health & Safety, local authority, and general workshop practice regulations are adhered to when using this equipment.
- ✓ Familiarise yourself with this product's application and limitations, as well as the specific warnings below relating to their use.
- ✓ Ensure the Wheel Skates are in sound condition and good working order. Take action for immediate repair or replacement of damaged parts.
- ✓ Use genuine parts only. The use of improper parts may be dangerous and will invalidate the warranty.
- ✓ Wheel Skates should only be used in suitable, well lit areas.
- ✓ **Wheel Skates must be used in pairs at either the front or rear of the vehicle.**
- ✓ They must never be used diagonally.
- ✓ Keep general area clean and tidy and free from obstructions.
- ✓ Use Wheel Skates on level and solid ground, preferably concrete. Avoid tarmac as Wheel Skates may sink in.
- ✓ Maintain the Wheel Skates in good condition (use an authorised service agent).
- ✓ Ensure there are no passengers in the vehicle.
- ✓ Ensure the Wheel Skates are free to move and that there are no obstructions in the area of use.
- ✓ When not in use store Wheel Skates in a safe, dry, childproof area.
- ▲ **DANGER:** Use the Wheel Skates for manoeuvring or positioning of vehicles in interior situations. They are not designed for use outdoors.
- ✗ **DO NOT start or drive the vehicle whilst it is raised on wheel skates.**
- ✗ **DO NOT** use the Wheel Skates for purposes other than that for which they are intended.
- ✗ **DO NOT** allow untrained persons to operate the Wheel Skates.
- ✗ **DO NOT** leave the vehicle unattended whilst it is raised on the Wheel Skates.
- ✗ **DO NOT** operate the Wheel Skates when you are tired or under the influence of alcohol, drugs or intoxicating medication.
- ✗ **DO NOT** get the Wheel Skates wet or use in damp or wet locations or areas where there is condensation.
- ✗ **DO NOT** exceed the rated capacity of the Wheel Skates. Remember that the front of a vehicle is usually heavier than the rear.
- ✗ **DO NOT** use the Wheel Skates to lift or support a vehicle in order to do work underneath it.
- ✓ Maintain correct balance and footing when moving vehicle. Ensure the floor is not slippery and wear non-slip shoes.
- ✓ Ensure there are no obstructions beneath the vehicle when it is to be lowered.
- ✓ Ensure all non-essential persons keep a safe distance whilst the Wheel Skates are in use.
- IMPORTANT** - We recommend that at least 2 persons are involved in manoeuvring the vehicle when supported on wheel skates. The vehicle's weight provides a large amount of inertia which has to be overcome to get the vehicle moving and more importantly, stopped.
- WARNING!** The warnings, cautions and instructions covered in this manual cannot cover all possible conditions and situations that may occur. It must be understood that common sense and caution are factors which cannot be built into this product, but must be applied by the operator.

## 2. INTRODUCTION

Steel chassis with PVC rollers and four Ø100mm nylon swivel castor wheels. Capacity: 560kg. Maximum Opening: 595mm. Maximum Tyre Width: 300mm. Note: Sold as singles, but must be used in pairs.

## 3. SPECIFICATION

Model no ..... WS560  
 Lifting capacity per skate..... 560kg  
 Castor wheel diameter ..... Ø100mm  
 Max. opening ..... 595mm  
 Max. tyre width ..... 300mm

## 4. ASSEMBLY

- 4.1. The unit comes assembled except for castor wheels see fig.1
- 4.1.1. Assemble on a flat, level hard but smooth surface.
- 4.1.2. Attach castor wheels, making sure the square nuts seat inside the square openings.
- 4.1.3. Thread lock nuts onto castor wheel bolts, securing tightly.

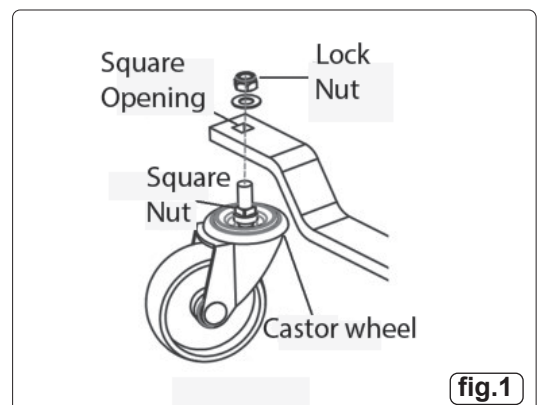
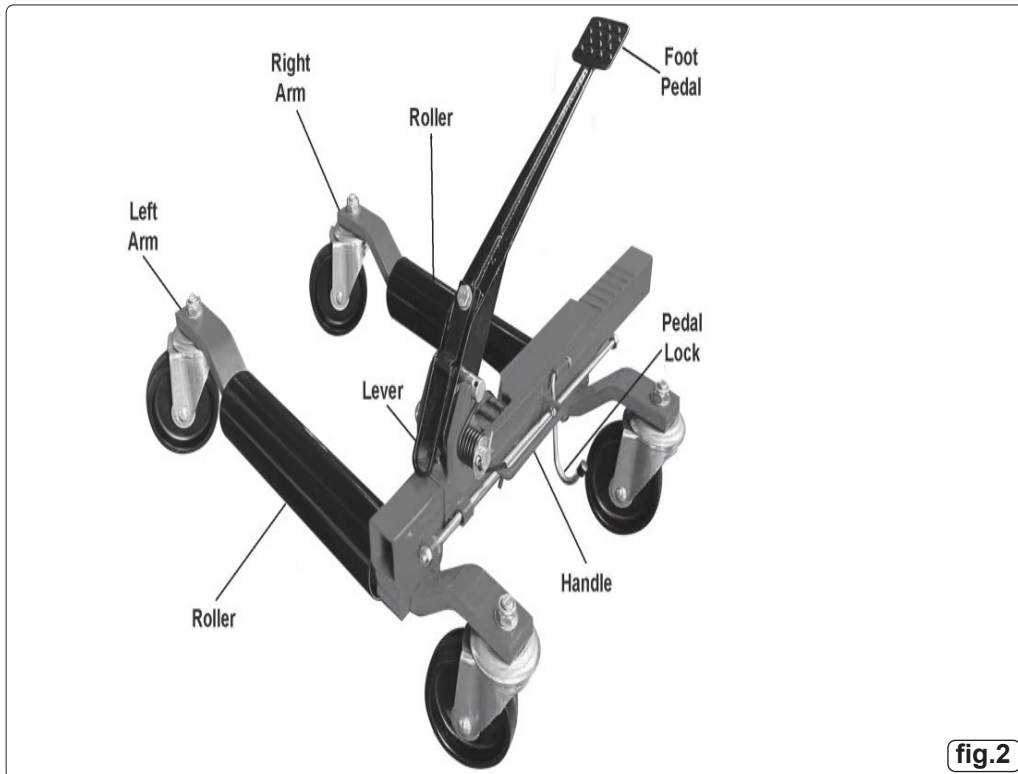


fig.1

## 5. PREPARATION

- 5.1. Ensure that the area where the vehicle is to be moved is clear of any obstructions. The floor surface should be smooth and level.
- 5.1.1. Take note of any features in the floor, that may catch the skate wheels or cause damage to the floor surface, such as floor mounted power and data points, room divider tracks, drainage features etc.
- 5.1.2. Enlist sufficient manpower to move the vehicle safely. **DO NOT** attempt to move the vehicle into an area where there is insufficient space to manoeuvre the vehicle safely.
- 5.1.3. Wheel Skates must be used as a pair. Attach to the front wheels to swing the front of the vehicle. **DO NOT** release the hand-brake or remove wheel chocks until both Skates are attached. Re-engage hand-brake or chock the wheels immediately after any movement has been made. Attach to rear wheels to swing the rear of the vehicle (ideally front wheels should be straight). If it is intended to use two pairs of skates to move a vehicle in one movement, great care should be exercised in order to avoid injury to persons or property.

**Refer to Section 1 before using the wheel skate.**



## 6. OPERATION

- 6.1. Release the foot pedal by depressing it and disengaging the pedal lock.(fig.2)
- 6.1.1. RAISING A WHEEL**
- 6.1.2. With the Lever in the down position, roll skate in front of tyre, spread arms apart, then push skate forward so that Rollers are on either side of tyre.
- 6.1.3. Move the Lever to the up position, then pump the foot pedal until the tyre is just lifted off the ground.
- 6.1.4. Raise the second wheel off the ground with the other Skate. Be prepared for any movement the vehicle may make when the second wheel becomes clear of the ground. This is particularly important when using four skates. Providing the ground/floor is level the vehicle should remain stable (read safety precautions in Section 1).
- 6.2. MOVING THE VEHICLE**
- 6.2.1. Ensure that you have sufficient manpower to move and control the vehicle. Keep well away from any sloping areas or entry ramps to the area, however shallow they may appear. When positioning a vehicle in relation to a wall or feature such as a pillar, no persons or objects should be situated between the vehicle and the feature. Sufficient space should be left between the side of a vehicle and an adjacent wall or feature to allow the Skates to be withdrawn sideways.
- 6.3. LOWERING WHEELS**
- 6.3.1. Move the Lever to the down position, then depress and release the Foot Pedal.
- 6.3.2. Once tyre is on the ground, spread arms and remove skate.
- 6.3.3. Push arms together, then depress foot pedal all the way and secure with pedal Lock.
- WARNING!** Beware of sudden movement of the unit components as the vehicle is lowered. Keep hands and feet away from any potential pinch-points.

## 7. MAINTENANCE

- 7.1. **BEFORE EACH USE**, inspect the general condition of the wheel skate. Check for: broken, cracked, or bent parts, loose or missing parts, and any condition that may affect the proper operation of the product.
- 7.2. **AFTER EVERY USE**, wipe with a clean cloth. Then, store the wheel skate in a safe, dry location out of reach of children and other non-authorized people.
- 7.3. **PERIODICALLY**: Lubricate the castor wheels and foot pedal pivot with oil. put Lever in down position, spread arms apart and lightly grease the notched tube.



#### ENVIRONMENT PROTECTION

Recycle unwanted materials instead of disposing of them as waste. All tools, accessories and packaging should be sorted, taken to a recycling centre and disposed of in a manner which is compatible with the environment. When the product becomes completely unserviceable and requires disposal, drain any fluids (if applicable) into approved containers and dispose of the product and fluids according to local regulations.



**Note:** It is our policy to continually improve products and as such we reserve the right to alter data, specifications and component parts without prior notice.

**Important:** No Liability is accepted for incorrect use of this product.

**Warranty:** Guarantee is 12 months from purchase date, proof of which is required for any claim.

Sealey Group, Kempson Way, Suffolk Business Park, Bury St Edmunds, Suffolk. IP32 7AR

 01284 757500

 [sales@sealey.co.uk](mailto:sales@sealey.co.uk)

 [www.sealey.co.uk](http://www.sealey.co.uk)