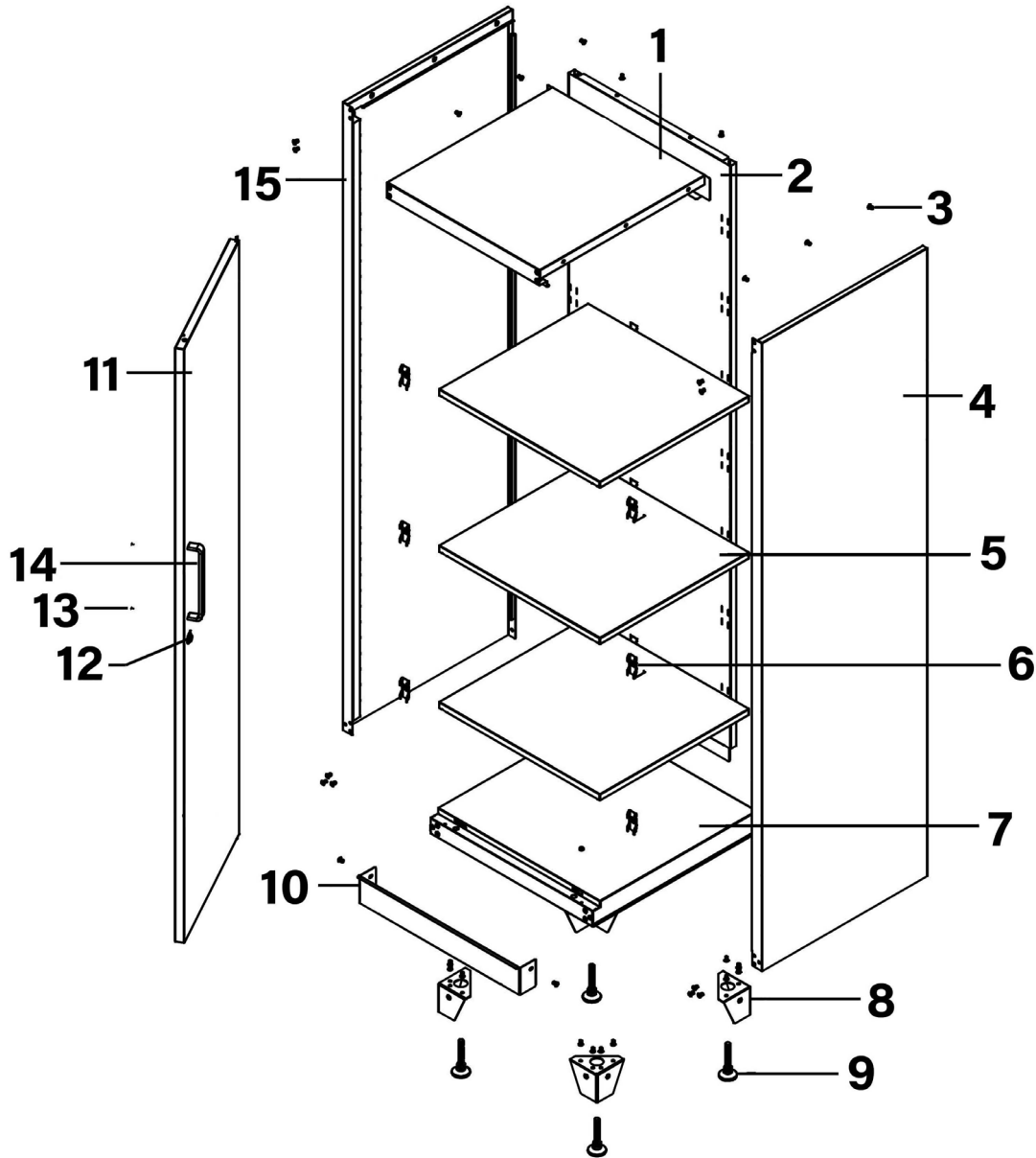


Parts Information:  
**Modular Full Height Floor Cabinet 2110mm**  
**- Heavy-Duty**  
**Model No: APMS21**



Item	Part No.	Description	Qty
1	APMS-122183	Top Panel	1
2	APMS-244071	Back Panel	1
3	MSP612.SB	Machine Screw Pan Head Phillips M6 x 12mm Black	40
4	APMS-122182	Right Side Panel	1
5	APMS-244072	Shelf	3
6	APMS-226078	Support, Shelf	12
7	APMS-122184	Bottom Panel	1
8	APMS-117485	Feet (metal)	4
9	APMS-313004	Adjustable Foot	4

Item	Part No.	Description	Qty
10	APMS-244073	Skirting Board	1
11	APMS-122186	Door	1
12	PTB-304007	Lock and Key ( <b>Number 1201</b> )	1
12	PTB-304007A	Lock and Key ( <b>Number 1202</b> )	1
12	PTB-304007B	Lock and Key ( <b>Number 1203</b> )	1
12	PTB-304007C	Lock and Key ( <b>Number 1204</b> )	1
13	MSP48.S	Machine Screw Pan Head Phillips M4 x 8 mm	2
14	APMS-301650	Handle	1
15	APMS-122181	Left Side Panel	1

**NOTE:** It is our policy to continually improve products and as such we reserve the right to alter data, specifications and component parts without prior notice. There may be alternative versions of this product, please contact us should you require this information.

**IMPORTANT:** No liability is accepted for incorrect use of product. Spare parts must be fitted by a competent person

**WARRANTY:** Guarantee is 12 months from purchase date, proof of which will be required for any claim.