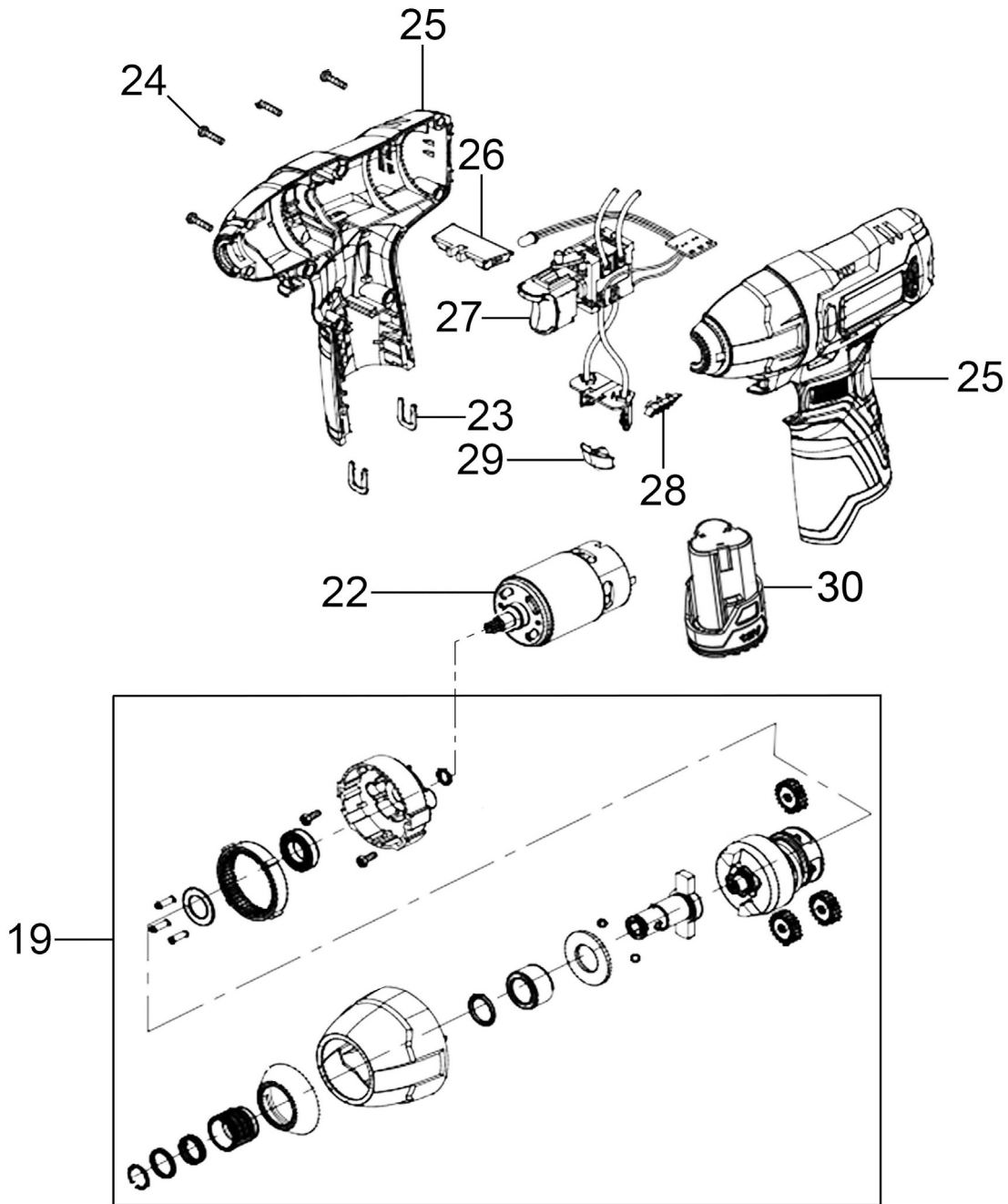




Parts Information:  
**Cordless Impact Driver 1/4"Hex Drive 10.8V  
 2Ah SV10.8 Series  
 Model No: CP108VCID**



Item	Part No.	Description
19	CP108VCID.GBA	Gearbox Assembly
22	CP108VCID.22	Motor (c/w Gear)
23	CP108VCID.23	Buckle
24	CP108VCID.24	Self-Tapping Screw ST2.9 x 16mm
25	CP108VCID.25	Housing Complete
26	CP108VCID.26	Lever, Forward/Reverse

Item	Part No.	Description
27	CP108VDD.39	Switch Assembly
28	CP108VCID.28	Cover, Battery Indicator
29	CP108VCID.29	Transparent Cover, LED
30	CP108VBP	Power Tool Battery Li-Ion 10.8V 2Ah
--	CP108VMC	Battery Charger Li-Ion 10.8V (Not Shown)

**NOTE:** It is our policy to continually improve products and as such we reserve the right to alter data, specifications and component parts without prior notice. There may be alternative versions of this product, please contact us should you require this information.

**IMPORTANT:** No liability is accepted for incorrect use of product. Spare parts must be fitted by a competent person

**WARRANTY:** Guarantee is 12 months from purchase date, proof of which will be required for any claim.

Sealey Group, Kempson Way, Suffolk Business Park, Bury St Edmunds, Suffolk. IP32 7AR



01284 757500



sales@sealey.co.uk



www.sealey.co.uk