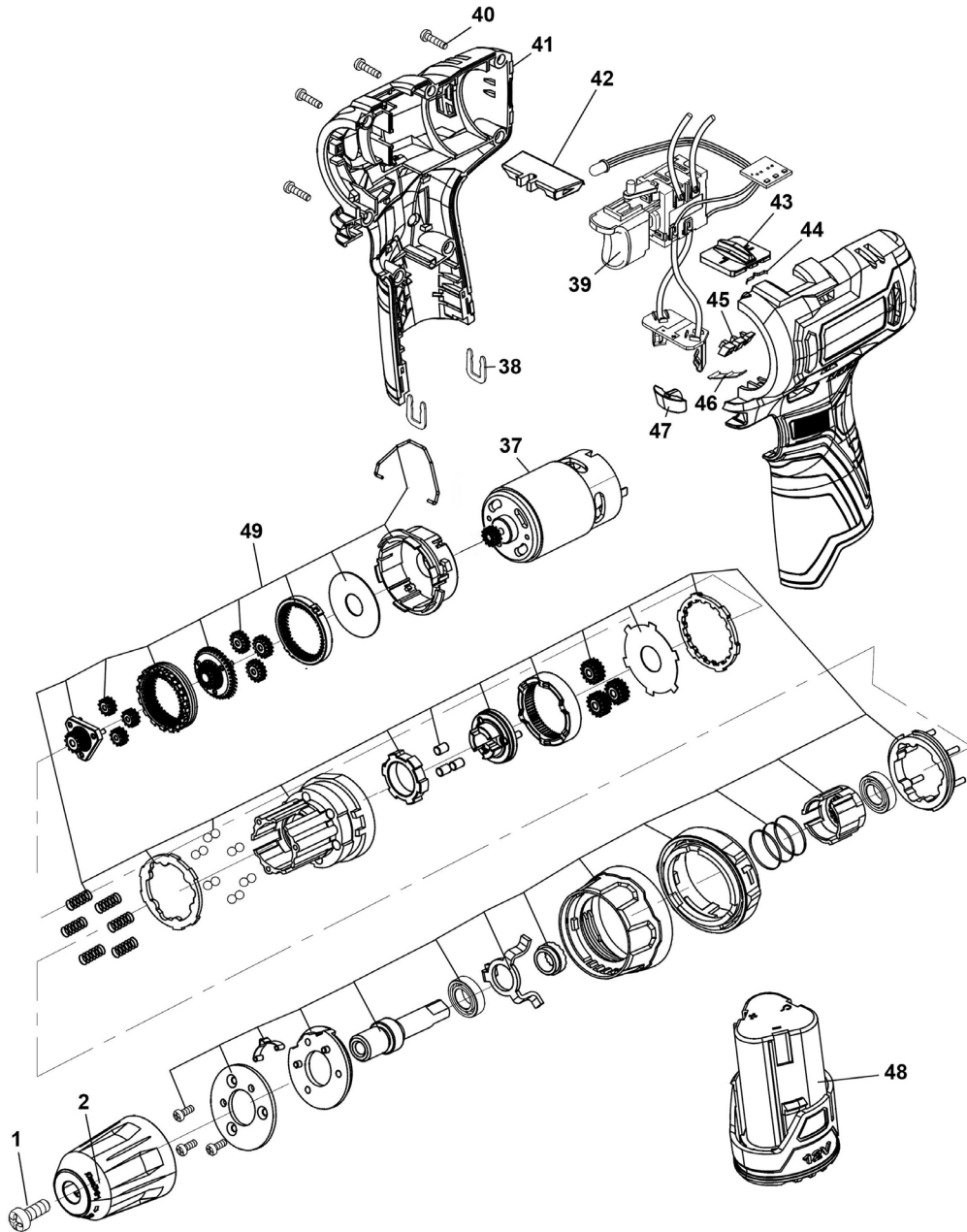




Parts Information:  
**Cordless Combi Drill Ø10mm 10.8V SV10.8 Series**  
**Model No: CP108VDD**



Item	Part No.	Description
1	CP108VDD.01	Chuck Screw M6 x 18mm
2	CP108VDD.02	Keyless Chuck
37	CP108VDD.37	Motor (c/w Gear)
38	CP108VDD.38	Buckle
39	CP108VDD.39	Switch
40	CP108VDD.40	Self-Tapping Screw ST2.9 x 16mm
41	CP108VDD.41	Housing Complete
42	CP108VDD.42	Forward/Reverse Lever

Item	Part No.	Description
43	CP108VDD.43	Push Button
44	CP108VDD.44	Clip
45	CP108VDD.45	Battery Indicator Cover
46	CP108VDD.46	Clip
47	CP108VDD.47	LED Cover
48	CP108VBP	Power Tool Battery Li-Ion 10.8V 2Ah
49	CP108VDD.GBA	Gearbox Assembly
--	CP108VMC	Main Charger Li-Ion 10.8V (Not Shown)

**NOTE:** It is our policy to continually improve products and as such we reserve the right to alter data, specifications and component parts without prior notice. There may be alternative versions of this product, please contact us should you require this information.

**IMPORTANT:** No liability is accepted for incorrect use of product. Spare parts must be fitted by a competent person

**WARRANTY:** Guarantee is 12 months from purchase date, proof of which will be required for any claim.

Sealey Group, Kempson Way, Suffolk Business Park, Bury St Edmunds, Suffolk. IP32 7AR



01284 757500



sales@sealey.co.uk



www.sealey.co.uk