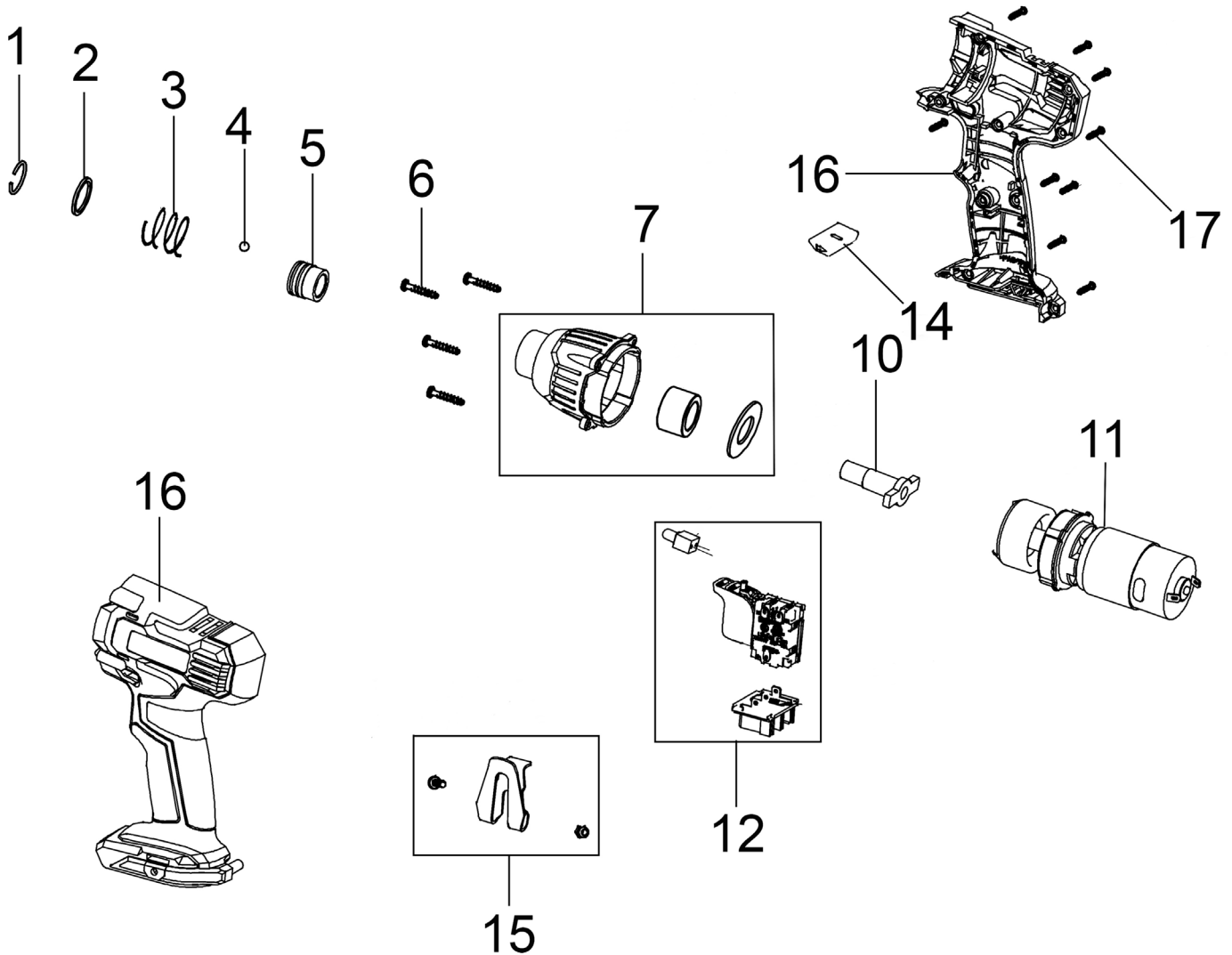




Parts Information:  
**Impact Driver 20V SV20 Series 1/4"Hex  
 Drive - Body Only**  
**Model No: CP20VID**



| Item | Part No.   | Description                        |
|------|------------|------------------------------------|
| 1    | CP20VID.01 | Snap Ring for Output Shaft         |
| 2    | CP20VID.02 | Washer for Output Shaft            |
| 3    | CP20VID.03 | Spring For Output Shaft Ø14.3mm    |
| 4    | SB-3.5     | Steel Ball 3.5mm                   |
| 5    | CP20VID.05 | Locking Sleeve                     |
| 6    | CP20VID.06 | Front Casing Screw                 |
| 7    | CP20VID.07 | Front Casing (c/w Bush and O-ring) |
| 10   | CP20VID.10 | Output Shaft                       |

| Item | Part No.   | Description   |
|------|------------|---|
| 11   | CP20VID.11 | Gearbox Assembly  |
| 12   | CP20VIW.07 | Switch Assembly 20A 7.2-24V DC (c/w Battery Contact Plate, LED & Cover) |
| 14   | CP20VIW.09 | Reversing Bar   |
| 15   | CP20VIW.12 | Belt Hook Assembly  |
| 16   | CP20VIW.16 | Casing Complete   |
| 17   | CP20VID.17 | Casing Screw  |

**NOTE:** It is our policy to continually improve products and as such we reserve the right to alter data, specifications and component parts without prior notice. There may be alternative versions of this product, please contact us should you require this information.

**IMPORTANT:** No liability is accepted for incorrect use of product. Spare parts must be fitted by a competent person

**WARRANTY:** Guarantee is 12 months from purchase date, proof of which will be required for any claim.

Sealey Group, Kempson Way, Suffolk Business Park, Bury St Edmunds, Suffolk. IP32 7AR



01284 757500



sales@sealey.co.uk



www.sealey.co.uk