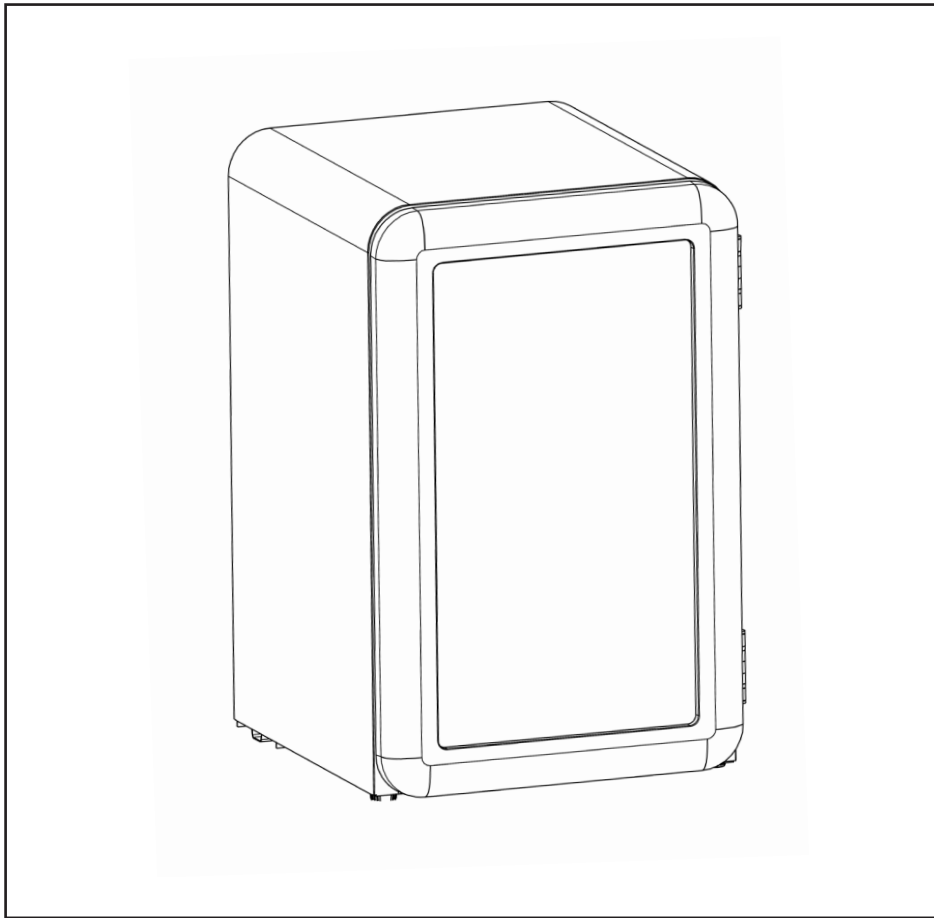


# baridi

---

## 70L Under Counter Drinks/Beer & Wine Cooler Fridge, Retro Style, Black



**Model: DH222**

Thank you for purchasing a Dellonda product. Manufactured to a high standard, this product will, if used according to these instructions, and properly maintained, give you years of trouble free performance.

## Important Information

Please read these instructions carefully. Note the safe operational requirements, warnings & cautions. Use the product correctly and with care for the purpose for which it is intended. Failure to do so may cause damage and/or personal injury and will invalidate the warranty. Keep these instructions safe for future use.



Refer to instructions



Indoor use only



Warning: flammable material

### • ELECTRICAL SAFETY

- **WARNING!** It is the user's responsibility to check the following:
  - Check all electrical equipment and appliances to ensure that they are safe before using. Inspect power supply leads, plugs and all electrical connections for wear and damage. Dellonda recommend that an **RCD** (Residual Current Device) is used with all electrical products.
  - Electrical safety information: It is important that the following information is read and understood.
  - Ensure that the insulation on all cables and on the appliance is safe before connecting it to the power supply.
  - Regularly inspect power supply cables and plugs for wear or damage and check all connections to ensure that they are secure.
  - Important: Ensure that the voltage rating on the appliance suits the power supply to be used and that the plug is fitted with the correct fuse as fitted in the plug.
- **DO NOT** pull or carry the appliance by the power cable.
- **DO NOT** pull the plug from the socket by the cable.
- **DO NOT** use worn or damaged cables, plugs or connectors.
- Ensure that any faulty item is repaired or replaced immediately by a qualified electrician.
- If the cable or plug is damaged during use, switch off the electricity supply and remove from use.

### • GENERAL SAFETY

- **WARNING:** When positioning the appliance, ensure the supply cord is not trapped or damaged. If the supply cord is damaged, it must be replaced by the manufacturer, its service agent or similarly qualified persons in order to avoid a hazard.
- Keep ventilation openings, in the appliance enclosure or in the built-in structure, clear of obstruction.
- **DO NOT** use mechanical devices or other means to accelerate the defrosting process, other than those recommended by the manufacturer.
- **DO NOT** damage the refrigerant circuit.
- **DO NOT** use electrical appliances inside the food storage compartments of the appliance, unless they are of a type recommended by the manufacturer.
- **DO NOT** store explosive substances such as aerosol cans with a flammable propellant in this appliance.
- **WARNING: DO NOT** locate multiple portable socket-outlets or portable power supplies at the rear of the appliance.
- To avoid a hazard due to instability of the appliance, it must be fixed in accordance with the instructions.
- This appliance is intended to be used in household and similar applications such as: staff kitchen areas in shops, offices and other working environments, farm houses and by clients in hotels, motels and other residential type environments, bed and breakfast type environments, catering and similar non-retail applications.
- To avoid contamination of foodstuffs, please respect the following instructions:
  - - Opening the door for long periods can cause a significant increase of the temperature in the compartment of the appliance.
  - - Clean regularly surfaces that can come in contact with drink and accessible drainage systems.
  - - If the appliance is left empty for long periods, switch off, defrost, clean, dry, and leave the lid ajar to prevent mould developing within the appliance.
- **WARNING:** Risk of fire or explosion. Flammable refrigerant used. To be repaired or serviced only by trained personnel.
- **DO NOT** puncture refrigerant tubing or container. If leaks suspected, thoroughly ventilate area and contact trained personnel.
- Children aged from 3 to 8 years are allowed to load and unload refrigerating appliances.
- This appliance can be used by children aged from 8 years and above and persons with reduced physical, sensory or mental capabilities or lack of experience and knowledge if they have been given supervision or instruction concerning use of the appliance in a safe way and understand the hazards involved. Children shall not play with the appliance. Cleaning and user maintenance shall not be made by children without supervision.

### • SPECIFICATION

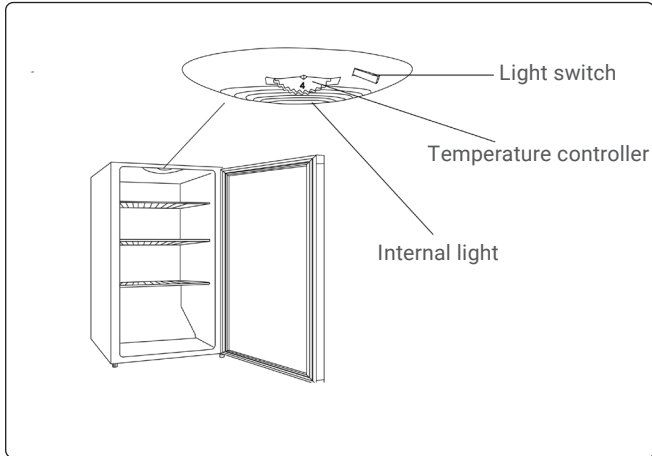
|                             |                   |
|-----------------------------|-------------------|
| Model: No.                  | DH222             |
| Capacity                    | 70L               |
| Energy Efficiency Class     | E                 |
| Frequency                   | 50Hz              |
| Internal Dimensions (WxDxH) | 355 x 385 x 595mm |
| Noise Level                 | 39dB              |
| Power Cable Length          | 1.5m              |
| Product Dimensions (WxDxH)  | 440 x 475 x 680mm |
| Rated Current               | 0.5A              |
| Temperature Range           | 0 - 10°C          |
| Voltage                     | 220 - 240v        |

• **INSTALLATION**

- The unit is designed to be free-standing. Ventilation Space - a minimum clear space of 100mm is required for the rear and both sides of the fridge. This will maximise the efficiency, performance and the life of the product and also ensure that there is sufficient space for the hinge to operate effectively.
- Locate the unit away from direct sunlight or sources of heat i.e. radiator, stove etc. Extreme or cold ambient temperatures may also prevent the unit working effectively.
- **DO NOT** locate the unit in a damp or moist location.
- Ensure that the floor surface is strong and stable enough to support the unit when it is fully loaded.
- Level the unit when in location by using the adjustable levelling feet in each corner.
- Once in position, allow the unit to rest for an hour before switching it on.
- Allow the unit 2-3 hours to reach set temperature after switching on before placing any items in the compartment.

• **OPERATION**

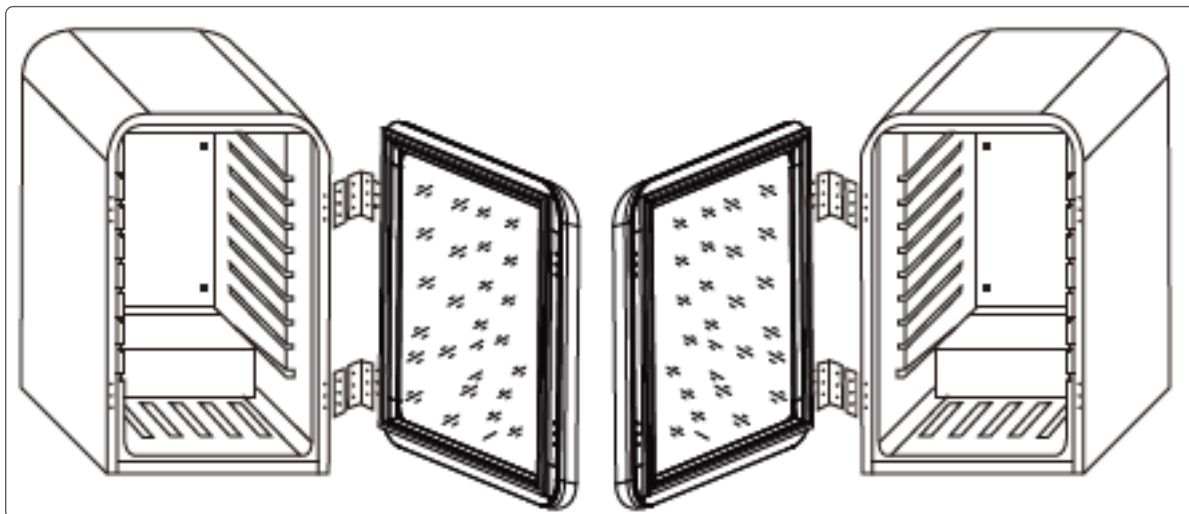
- The **ON/OFF** switch, temperature controller and internal light switch are positioned on the internal top surface of the unit (fig.1).



- Turn on the refrigerator using the internal switch and set the temperature control to the desired cooling value (0 - 7).
- The settings, 0(OFF) - 7(MAX), regulate the interior temperature of the refrigerator.
- Setting 0(OFF) = not operating (Please press the knob and turn to get the "0" position).  
Setting 1(MIN) = lowest setting (warmest internal temperature), Setting 7(MAX)= highest setting (coldest internal temperature).

• **REVERSIBLE DOOR**

- The door can be opened from left to right and vice versa. Should you wish to change the opening direction, please follow these instructions.  
**NOTE:** All parts removed should be kept safely. You will require these for the re-installation of the door.
- Support the door from the bottom.
- Remove the six screws that affix the hinges and two spacers to the cabinet frame.
- Place the door flat on a padded surface to prevent scratching
- Remove the six hinge screws that affix the hinges to the Retro door.
- Remove the blanking plugs from the opposite side and use to plug the holes exposed by the removal of the hinge.
- Screw the hinges onto the opposite side of the door.
- Pick the door up and carefully align with the cabinet holes.
- Screw the remaining six screws into both hinges and the two spacers into the cabinet to secure the door.



Position of components prior to reversal of the door hinge.

Position of components after reversal of the door hinge.

• **DEFROSTING**

- The surface of the evaporator ices up when the refrigerator is working. This is an entirely normal part of operation. If the frost layer is more than 3mm (1/4") thick, the refrigerator must be defrosted and cleaned to avoid unnecessary energy consumption and inefficient operation.
- Remove all items inside and unplug the refrigerator. After defrosting, clean the refrigerator and allow it to dry. Reconnect to the mains supply and run the refrigerator.

• **MAINTENANCE**

- **WARNING:** Remove the power plug from the supply when performing cleaning or maintenance.
- **DO NOT** use abrasive or chemical cleaning materials on any surface of the unit.
- Wipe interior and exterior surfaces with a damp cloth and dry thoroughly with a clean dry cloth.
- For more soiled surfaces use a neutral detergent, wipe down with a clean damp cloth and dry thoroughly with a clean dry cloth.

• **TROUBLESHOOTING**

| PROBLEM   | SOLUTION  |
|---|---|
| The fridge doesn't work                                     | Check that the appliance is switched on.  |
|   | Check that there has not been a power cut   |
|   | Check that the plug is not faulty.  |
|   | Check that the fuse has not blown.  |
|   | Check that the voltage is correct for the appliance.  |
|   | Are there any faults with the socket? For this purpose, try the plug of your appliance by connecting it to a socket which you are sure is working.  |
| The temperature inside the appliance is not cold enough     | Check that there is not too much food in the appliance.   |
|   | Check that the thermostat is set to a suitable temperature.   |
|   | Check the appliance is not placed in direct sunlight, or too near to a heating source.  |
|   | Check the ambient temperature is within the operation limits of the appliance.  |
|   | Are the doors of the appliance opened frequently? Once the door is opened, the humidity found in the air in the room enters the appliance, especially if the humidity levels in the room are very high. The more frequently the door is opened in humid conditions the more chance of build up of moisture.   |
|   | The door is not closed completely.  |
|   | The door gasket does not seal properly.   |
|   | The cooler does not have the correct clearances at the sides/back.  |
| The temperature within the appliance is too cold            | Increase the working temperature by adjusting the thermostat to a lower setting.<br>The highest setting should only be used as a rapid cool setting and should only be set 2 hours before a large amount of food is placed in the fridge. If this is not done the temperature in the fridge compartment could fall below 0°C as the compressor will run continuously. |
|   | Hot and humid weather increases the internal rate of frost build-up. This is normal.<br>Open the door less often and make sure it is always properly closed.  |
| Moisture forms on the inside or outside walls of the fridge | Condensation will form on the outside of the cooler if it operates in moist areas, simply wipe it dry.  |
| The outer surfaces of the appliance are wet                 | Check all the food and drink that is in the fridge is in date and correctly packaged. If it isn't then it should be removed immediately or repackaged.  |
|   | Check for spillages on each shelf, rack and drawer. You may need to remove the drawers to check that no spillages have settled underneath them. Spillages that have not been cleaned and have been left can cause smells and unwanted odours.   |

|                                      |   |
|--------------------------------------|---|
| The door does not close properly     | Ensure there are no obstructions preventing door closure.   |
|                                      | Check the door compartments and shelves are correctly in place.   |
|                                      | Check the door seal is not warped or torn.  |
|                                      | Check the appliance is level.   |
| Unusual noises                       | Check the spacings around the appliance and ensure it is not touching other items.  |
|                                      | Bubbling and gurgling sound: This noise is emitted as the coolant fluid flows through the pipes within the system. This is normal.  |
|                                      | Water flowing sound: This is the normal sound of water flowing into the drain trough during the defrosting process.   |
|                                      | If the appliance is operating noisily (compressor noise): This is normal. This noise indicates that the compressor is operating normally. As the compressor is being energized, it might run a bit more noisily for a short period of time. |
|                                      | Contraction and expansion of the inside walls may cause popping and cracking noises. This is normal.  |
| The fridge door will not open.       | If the door has just been opened, leave it for a few minutes to allow the air pressure to equalise before trying again.   |
| The compressor runs continuously.    | The temperature is set too cold: select a lower (warmer) setting.   |
|                                      | The door is open, or something is obstructing proper door closure.  |
|                                      | The door gaskets are worn, dirty or damaged.  |
|                                      | Large quantities of food have been added to the fridge.   |
|                                      | The room temperature is hotter than usual.  |
| The external fridge surface is warm. | The exterior walls can be warmer than room temperature. This is normal while the compressor works to transfer heat from inside the fridge cabinet.  |

**Environment Protection and Waste Protection and Electrical Equipment Regulations (WEEE)**



Recycle unwanted packaging materials. When this product is no longer required, or has reached the end of its useful life, please dispose of it in an environmentally friendly way. Drain any fluids (if applicable) into approved containers, in accordance with local waste regulations. Under the Waste Batteries and Accumulators Regulations 2009, Dellonda would like to inform the user that this product contains one or more batteries. It is our policy to continually improve products and we reserve the right to alter data, specifications and parts without prior notice. No liability is accepted for incorrect use of this product. Guarantee is 12 months from purchase date, proof of which is required for any claim.

**Dellonda Limited, Sole UK Distributor of Baridi**

Kempson Way, Suffolk Business Park, Bury St Edmunds, Suffolk. IP32 7AR

 01284 757575
  support@dellonda.co.uk
  www.dellonda.co.uk

## Product Information Sheet. Refrigerating Appliances

SUPPLIER\_NAME\_OR\_TRADEMARK      Dellonda EU Ltd.      DELEGATED\_ACT      EU/2019/2016  
 MODEL\_IDENTIFIER      DH222

70L Under Counter Drinks/Beer & Wine Cooler Fridge, Retro Style, Black

ADDRESS      Farney Street, Carrickmacross, Co. Monaghan, A81 PK68 Ireland  
 PHONE\_NUMBER      01284 757 500  
 EMAIL\_ADDRESS      TechnicalCompliance@dellonda.co.uk

Parameter      Verification tolerances

|                        |    |                               |              |
|------------------------|----|-------------------------------|--------------|
| Low-noise appliance    | No | Design type                   | Freestanding |
| Wine storage appliance | No | Other refrigerating appliance | No           |

### General product parameters

|   |       |  |    |
|---|-------|--|----|
| Height mm   | 680   | Total volume. Litres.                    | 70 |
| Width mm  | 440   |  |    |
| Depth mm  | 475   |  |    |
| EEL   | 99    | Energy efficiency class                  | E  |
| Airborne acoustical noise emissions (dB(a) re 1 pW) | 39    | Airborne acoustical noise emission class | C  |
| Annual energy consumption kWh/a                     | 79.00 | Climate class                            | T  |

**SN** = extended temperate(10-32°C)

**N** = temperate 16-32°C

**ST** = subtropical 16-38°C

**T** = tropical 16-43°C]

|   |    |   |    |
|---|----|---|----|
| Minimum ambient temperature (°C) for which the refrigerating appliance is suitable. | 16 | Maximum ambient temperature (°C) for which the refrigerating appliance is suitable. | 32 |
| Winter setting  | No |   |    |

Compartment type

Volume.  
Litres.

Recommended temperature setting for optimised food storage

(kg/24 h)

Freezing capacity

(auto = A Manual = D)

Defrosting type

|                                  |                   |      |    |  |    |
|----------------------------------|-------------------|------|----|--|----|
| Pantry                           | No                |      |    |  |    |
| Wine storage appliance           | No                |      |    |  |    |
| Beverage / Beer cooler           | No                |      |    |  |    |
| Cellar                           | Yes               | 70.0 | NA |  | NA |
| Fresh food                       | No                |      |    |  |    |
| Chill                            | No                |      |    |  |    |
| 0-star or ice-making             | No                |      |    |  |    |
| 1-star                           | No                |      |    |  |    |
| 2-star                           | No                |      |    |  |    |
| 3-star                           | No                |      |    |  |    |
| 4-star                           | No                |      |    |  |    |
| 2-star section                   | No                |      |    |  |    |
| Variable temperature compartment | Compartment types |      |    |  |    |

**4-star compartments**

**Light source parameters**

|                      |    |                                       |        |
|----------------------|----|---------------------------------------|--------|
| Fast freeze facility | No | Type of light source                  | LED    |
|                      |    | Energy efficiency class               | exempt |
|                      |    | Minimum duration of guarantee (years) | 1      |

Suppliers website <https://www.dellonda.co.uk/>